

Barcode: 5060452084992

Patent: 2211899.6

Version: v100.0



# siteboss™ cabinet

Product code: SB48

- » Ultra secure jobsite cabinet for your tools.
- » 3 sturdy shelves keep tools organized and accessible.
- » Features the extreme UltraLock security system.



## Product features



UltraLock



4 way fork pockets



Suitable for jobsite



Power cable pass-through



Weight load per shelf

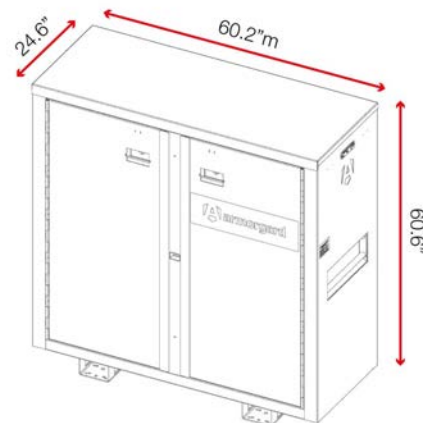


Built-in handles

## Product specifications

Weight	517lbs
Color	Black grey: RAL 7021, Traffic red: RAL 3020
Finished coating	Powder coated
Material	14 gauge steel
Suitable for vehicle mounting	No
How are casters fitted?	Quick-fix caster plates
Other sizes available	7 other sizes
Assembly required?	Yes
Qty of shelves as standard	3 adjustable shelves

## Dimensions - External dimensions includes protrusions



## Optional extras - Contact Armorgard to find out more



Lifting eye kit CLEK4



HD Caster kit

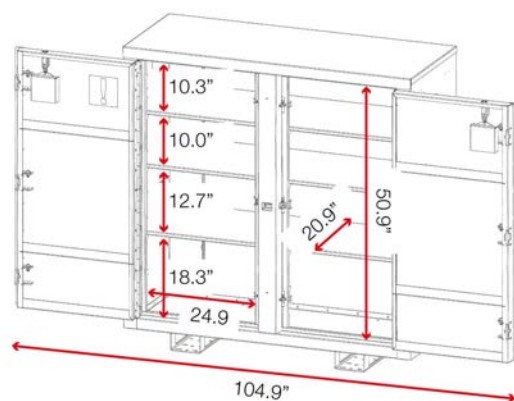
## Related products



SiteBoss Chest SB24



Forma-Stor FR200-TT



Disclaimer: all dimensions and weights are approximate