



Barcode: 5060452081816

rubbletruck™

Product code: RT400

- » Designed to move a high capacity of trash and rubble easily.
- » Fully welded crane lifting eyes to transport materials, even at height.
- » A built to last robust solution for your jobsite.

Product features



Heavy-duty 6" casters



Puncture-proof tires



Working load limit



Stackable



14 cu ft

Capacity



Crane lifting eyes



Built in handles

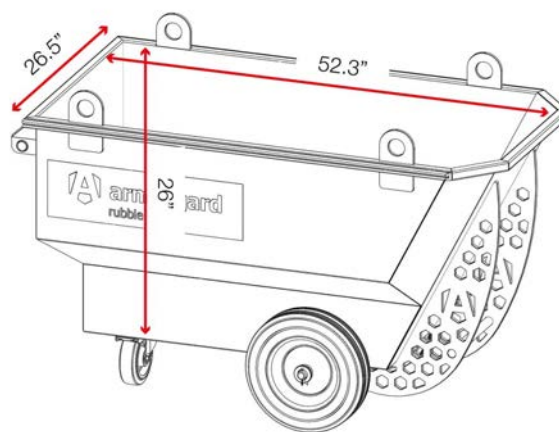
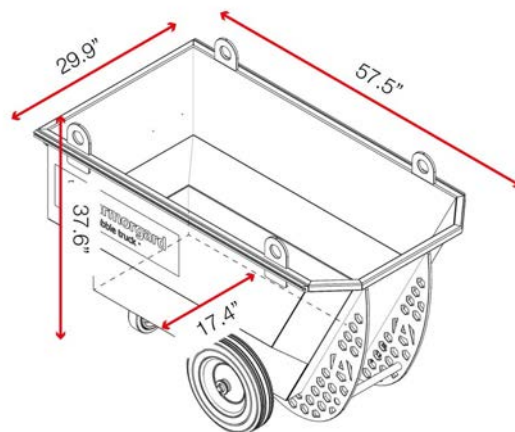


Suitable for jobsite

Product specifications

Weight	196lbs
Color	Black grey: RAL 7021
Finished coating	Powder coated
Material	10 gauge steel
How are casters fitted?	Quick-fix caster plates, split pins
Assembly required?	Yes

Dimensions - External dimensions includes protrusions



Related products - Contact Armorgard to find out more



SiteBoss Chest SB16



SiteBoss Piano Box SB38



SiteStation SS2-T



Forma-Stor FR200-TT

Disclaimer: all dimensions and weights are approximate