



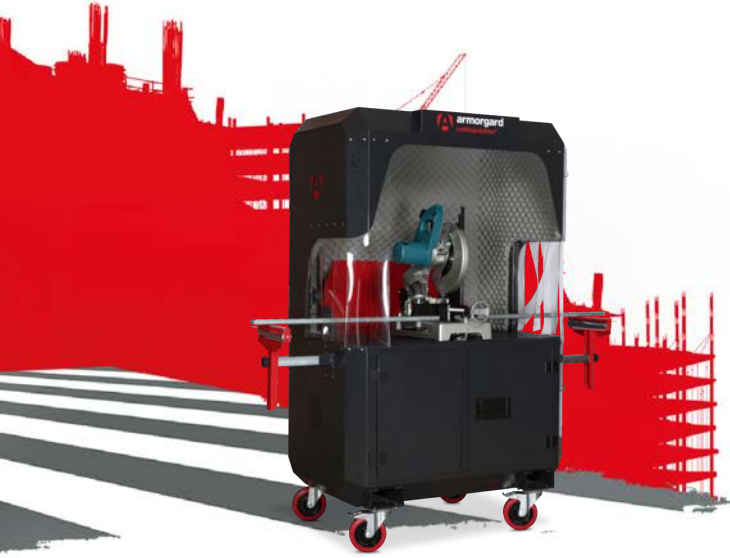
Barcode: 5060452085050

Patent: 17183824.6

# cuttingstation™

Product code: SS7-T

- » Best practice for safely cutting materials on a jobsite.
- » Multi-purpose mobile cutting station.
- » Minimizes vibrations, sparks, debris and noise when cutting.



## Product features



T-Latch lock



UL approved light supply



Forklift pockets



Heavy-duty 6" casters



UL approved power supply

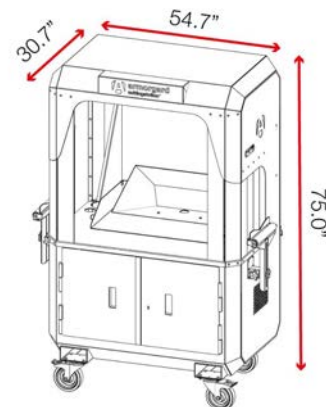


Suitable for jobsite

## Product specifications

Weight	396lbs
Color	Black grey: RAL 7021, Traffic red: RAL 3020
Finished coating	Powder coated
Material	16 gauge steel
Does it have storage	Yes
How are casters fitted?	Quick-fix caster plates
Assembly required?	Yes

## Dimensions - External dimensions includes protrusions



## Optional extras - Contact Armorgard to find out more



Lifting eye kit CLEK2

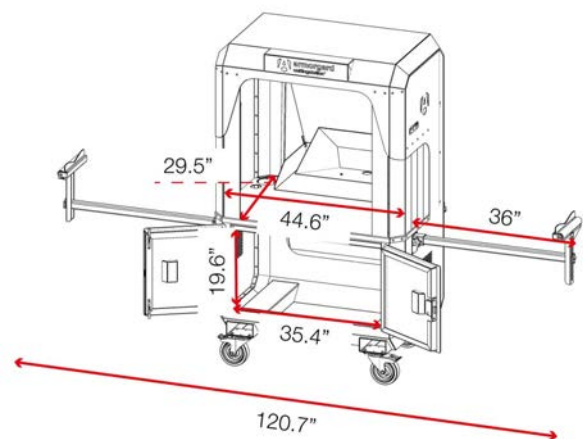
## Related products



SiteBoss Piano Box SB38



Forma-Stor FR200-TT



Disclaimer: all dimensions and weights are approximate