



turntable™ truck

Product code: TT1

- » Ideal for transporting bulk materials and equipment.
- » Raised heavy duty deck for ground clearance and easy loading.
- » Precision steering mechanism for easy manoeuvring.



Product features



Puncture-proof
tyres



Working load limit
1000kg



Built in handles

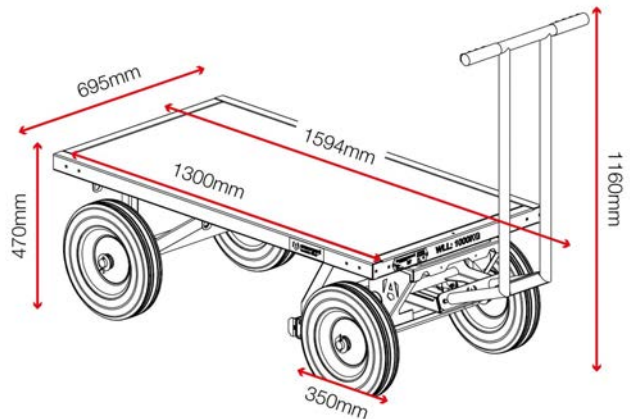


Suitable for site

Product specifications

Weight	70kg
Colour	Black grey: RAL 7021, Traffic red: RAL 3020, natural timber
Finished coating	Powder coated
Material & thickness	2mm steel
How are castors fitted?	4x linchpins
Assembly required?	Yes

Dimensions - External dimensions includes protrusions



Optional extras - Contact Armorgard to find out more



Turntable side kit TT1-SK

Disclaimer: all dimensions and weights are approximate