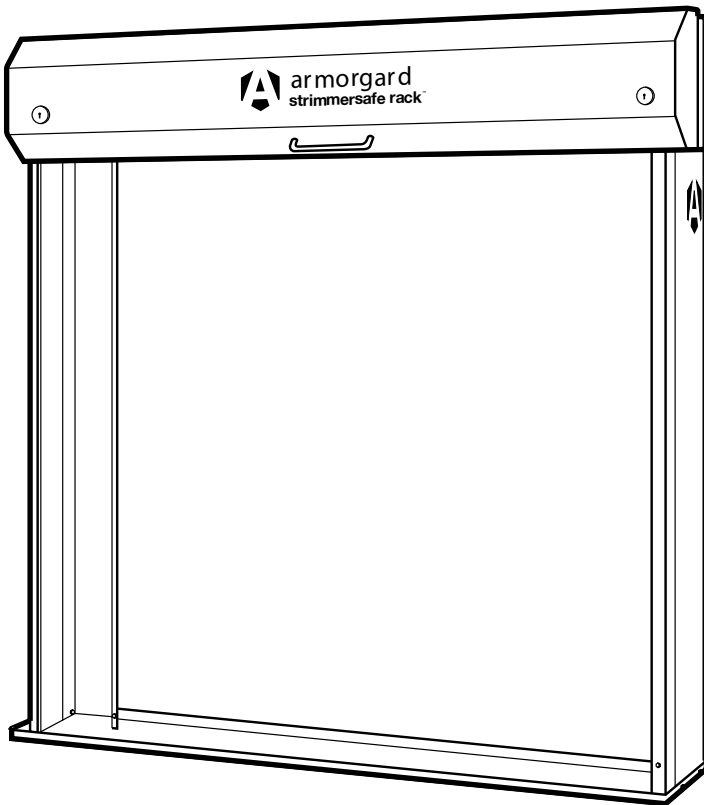


 armorgard

strimmersafe rackTM

Model Number SSR



Instructions for setting up your
Armorgard StrimmerSafe Rack SSR

»» Welcome...

to your Armorgard StrimmerSafe Rack, unique upright storage system for securing your strimmers and other tools.

Please read this safety manual carefully prior to operating the StrimmerSafe Rack.

This pack includes:

- 1 x Head Unit
- 1 x Left Upright Section
- 1 x Right Upright Section
- 1 x Base Section
- 1 x Brace Section
- 18 x M8 x 20 Bolts
- 18 x M8 Nylocks
- 3 x Keys



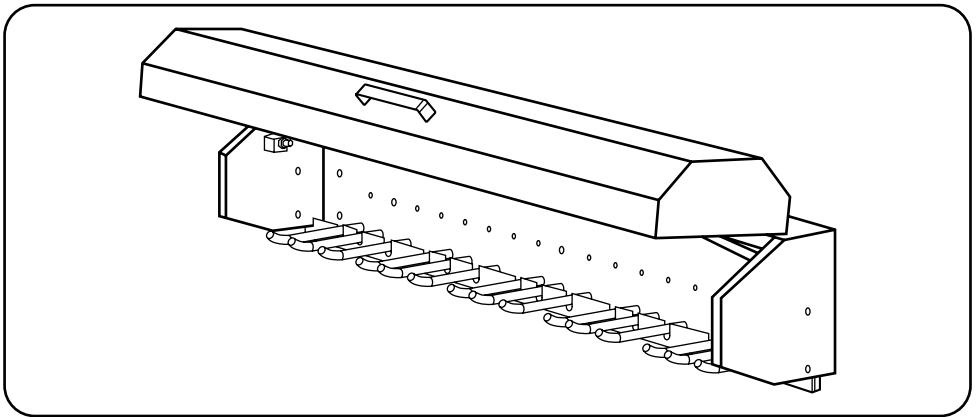
Safety Information

- ⚠ Take extra care when raising the unit from the ground.
- ⚠ Ensure the unit is placed on flat, even surface.
- ⚠ Position the unit with its back to solid wall.
- ⚠ If unsecured, the StrimmerSafe Rack can overbalance. For your safety, you should always fix the StrimmerSafe Rack to a solid wall and ensure it is fully supported.

» Technical Specification

Model Number	SSR
External Dimensions W x D x H	2055 x 365 x 2085mm
Net Weight	93kg
Lifting System	2 Hydraulic Gas Arms

Bolting head unit to the wall without support legs.



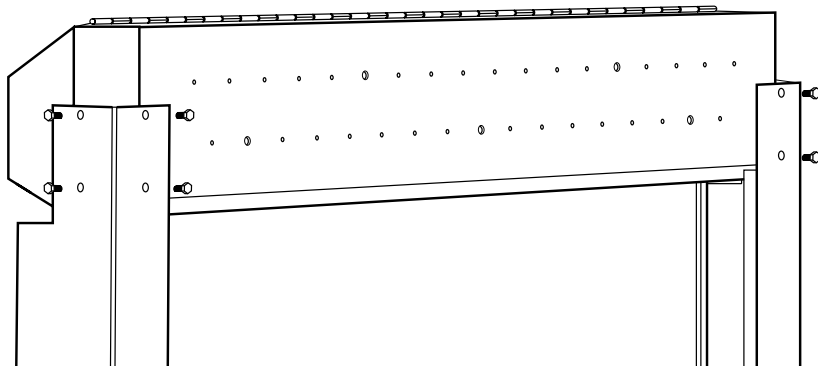
The head unit can be fitted to a wall without the base unit and side sections. Using the pre-drilled holes in the back of the head unit bolt back to the wall. Ensure the unit is securely fixed to the wall before use.

Please note: bolts for fixing head unit to wall are not included with the StrimmerSafe Rack.

strimmersafe rack™

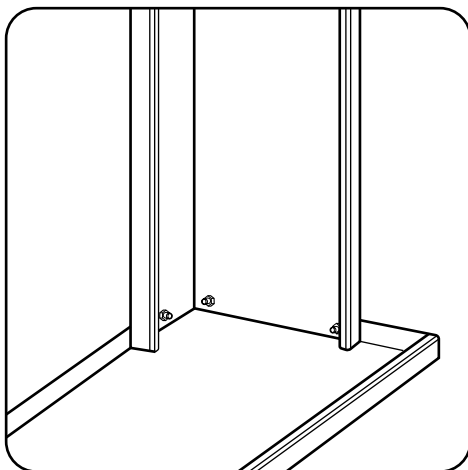
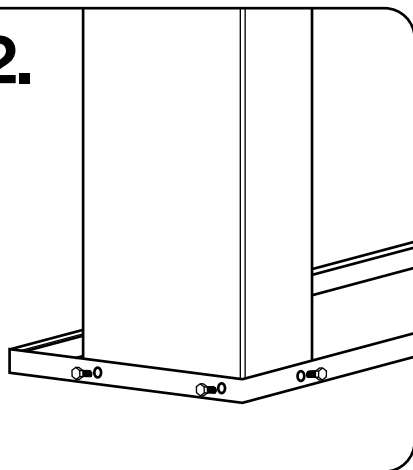
How to erect StrimmerSafe Rack

1.

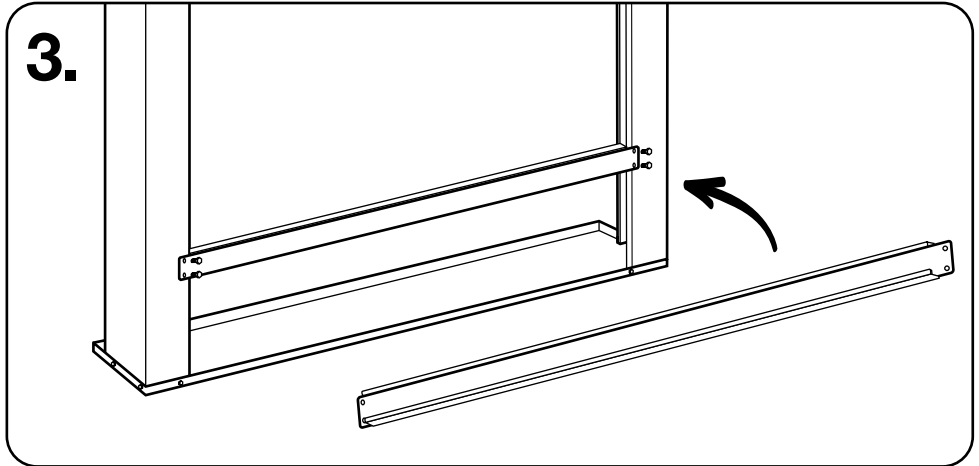


Position the head unit on the floor face down. Bolt on the side panels to the head unit using 4 of the M8 x 20 bolts and Nylocks on each of the upright arms.

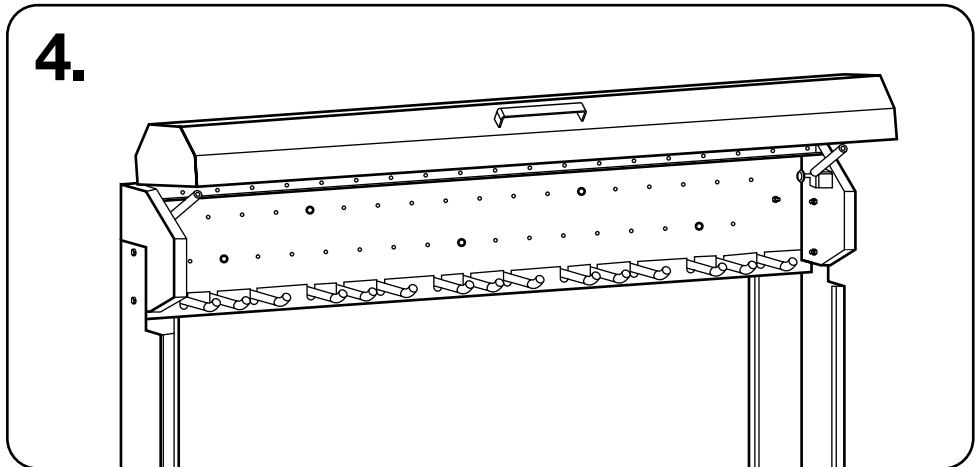
2.



Fix the base unit to the two side panels using 3 of the M8 x 20 bolts and Nylocks on each of the upright arms.



Attach the cross brace using 2 of the M8 x 20 bolts and Nylocks each side.
Ensure all fixings are secure and tight.

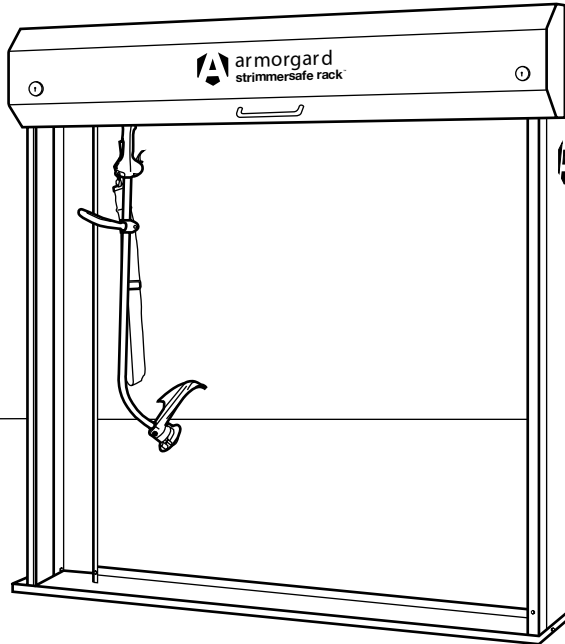


Using at least 2 people, stand the unit up into position, preferably with its back to the wall.
For added security, using the pre-drilled holes in the head unit, bolt the StrimmerSafe
Rack to the wall before loading.

Please note: bolts for fixing head unit to wall are not included with the StrimmerSafe Rack.

How best to use the StrimmerSafe Rack

5.



Open the lid of the StrimmerSafe Rack and position the head of your tools over the internal hooks. Close the lid of your StrimmerSafe Rack and secure both locks
Your tools are secure with the Armorgard StrimmerSafe Rack.

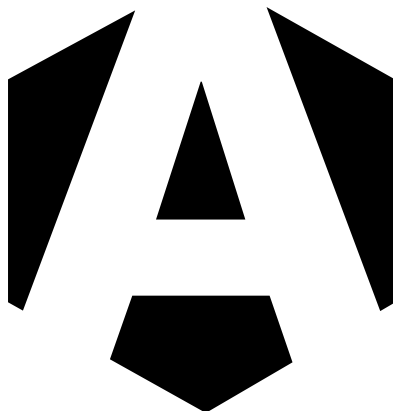
» General Information

Lost Keys?

Replacement keys can be purchased from Armorgard, using the serial number on the product. For added security, register your key serial number at:
www.armorgard.co.uk/product-registration

ticking every box.

View our full range of products online at
www.armorgard.co.uk



 **armorgard**
ticking every box.

Unit 14-16, Standard Way, Fareham Industrial Park, Fareham, Hampshire PO16 8XB
call **023 9238 0280** email **sales@armorgard.co.uk** **www.armorgard.co.uk**