



Barcode: 5060452080314

strimmersafe™ vault

Product code: SSV12

- » Ultra-tough, secure vault for storing landscaping equipment.
- » Slots for securing strimmers and other long handled tools.
- » Internal divider system for segregated storage.



Product features



2x 5-lever deadlock



Gas strut (300N)



Suitable for vehicles

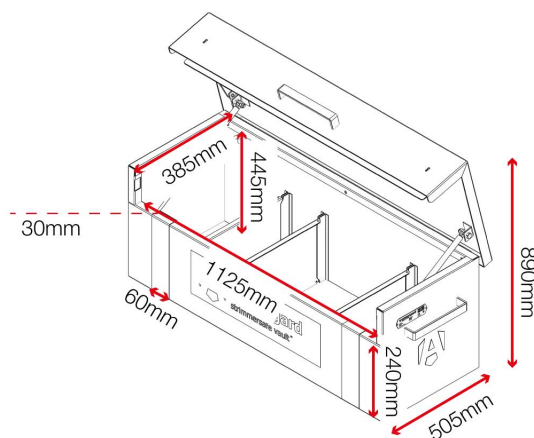
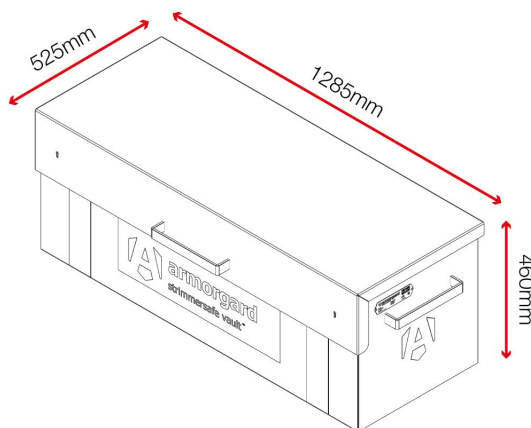


Built in handles

Product specifications

Weight	69kg
Colour	Black grey: RAL 7021
Suitable for	Vehicle & workshop
Finished coating	Powder coated
Material & thickness	2mm and 2.5mm steel
Quantity of keys	3 keys
Suitable for vehicle mounting	Yes
How are castors fitted?	Requires welding on or holes to be drilled to bolt them on
Other sizes available	2 other sizes
Qty of shelves as standard	No

Dimensions



Related products - Contact Armorgard to find out more



StrimmerSafe Vault SSV6



StrimmerSafe Vault SSVX6



StrimmerSafe Rack SSR



TuffBank TB2