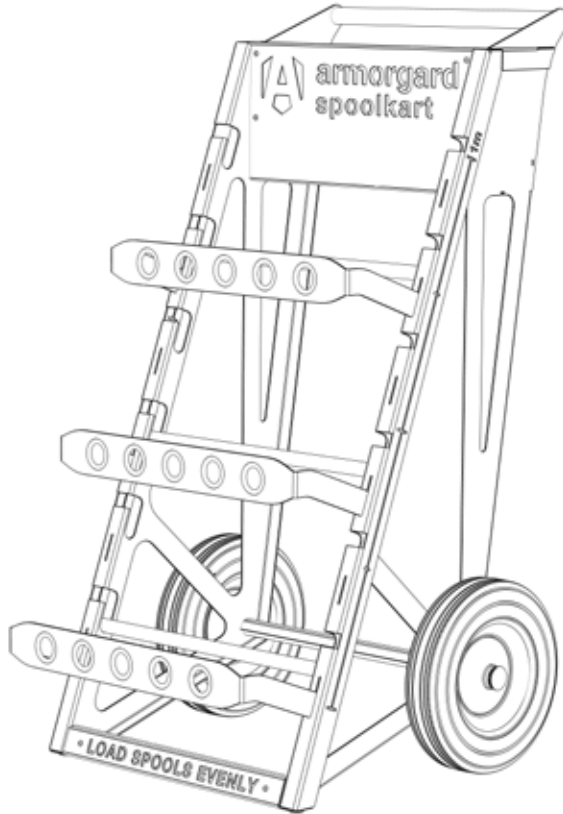


spoolkart

Model Number SPK2



User manual for your
Armorgard SpoolKart

» Welcome...

to your Armorgard SpoolKart, the safe and efficient way to move multiple reels of cable. With a 200kg working load limit, this sturdy trolley is perfect for busy construction sites.

Please read this user manual carefully prior to using your SpoolKart.








Contents

| | |
|-------------------------------------|---|
| Welcome..... | 2 |
| Safety Information..... | 3 |
| Getting to know your SpoolKart..... | 4 |
| Loading the SpoolKart..... | 5 |
| Using the SpoolKart | 6 |
| General Information | 7 |

If you have any questions on setting up your SpoolKart, please call 023 9238 0280



Safety Information

-  Depending on load and conditions, an extra person may be required to move the SpoolKart.
-  Before using a SpoolKart, ensure any relevant risk assessments are carried out. Armorgard cannot be responsible for accidents that occur due to negligence.
-  Multiple reels should be distributed evenly on the body of the SpoolKart, or if only one reel, it should be placed as centrally as possible.
-  The SpoolKart should be checked regularly for signs of faults, wear & damage that could affect the safe operation of this product, and deemed unfit for use if found.
-  The SpoolKart has been tested and assigned a working load limit of 200kg which must not be exceeded at any time.
-  Site conditions can restrict the weight that can be carried safely and this should be determined by a risk assessment before work starts.
-  When using a loaded SpoolKart on a slope, extra care should be taken. The risk assessment should take ground conditions into account and extra help used where required.

Getting to know your SpoolKart

Sturdy design using 2.5mm steel ensures it is built to last.

Slots at the top are designed to store pliers, cutters, and other hand tools.

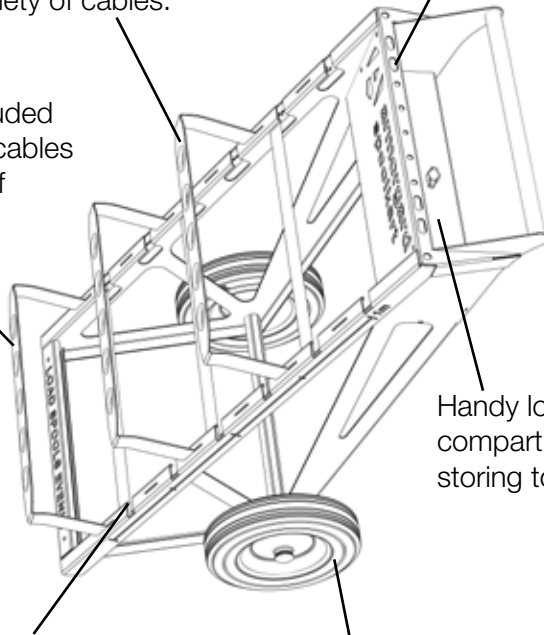
3 load bars included as standard for loading a variety of cables.

3 feed bars included as standard so cables can be pulled off easily.

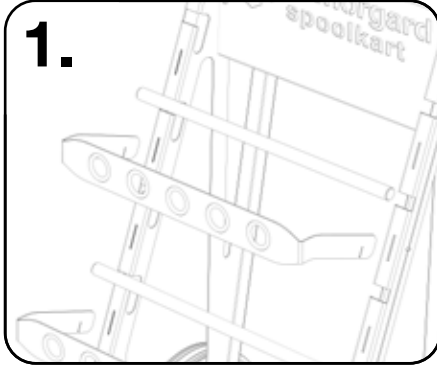
Handy lockable compartment for storing tools.

6 positions for the feed bars and load bars allow the SpoolKart to be configured to almost any application.

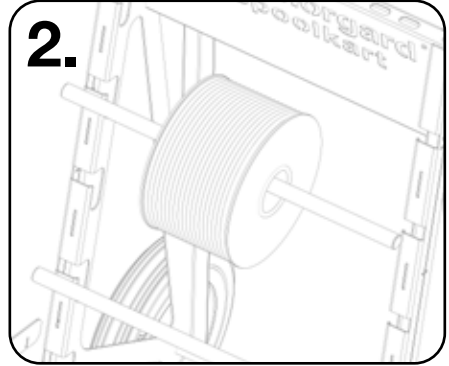
Large, 350mm solid rubber wheels are tough and puncture proof to improve usability across rough terrain.



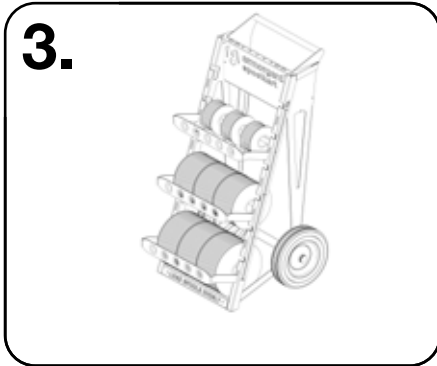
Loading the SpoolKart



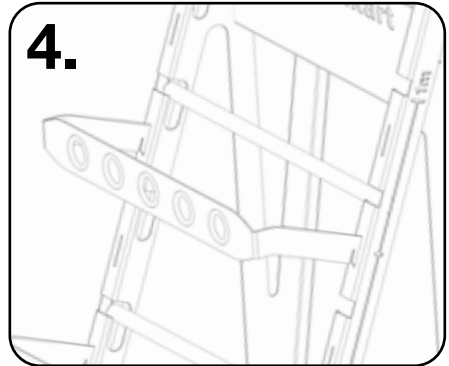
When loading the spoolkart, slot the feed bar into place in the slots you want to use, and then remove the metal loading bar.



Slide the cable reels onto the loading bar and fit the loading bar back into place.



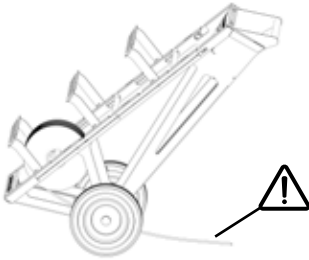
It's important that the load is spread evenly over the bars, with heavier reels on the lower bars. This will ensure the best stability of the SpoolKart.



The feed bars work best when placed directly in front of the cable reels.

Using the SpoolKart

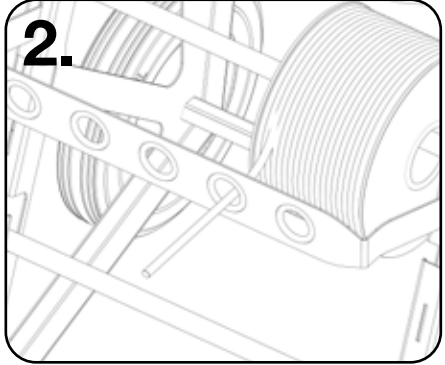
1.



The loaded SpoolKart is easy to tilt and move to the desired location.

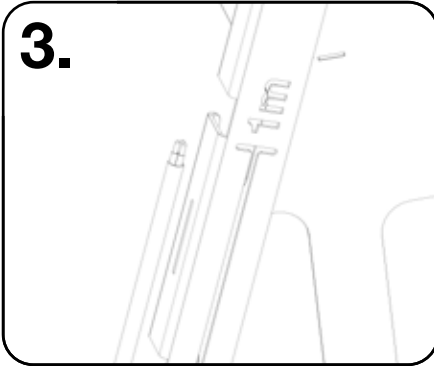
WARNING: Ensure there are no trailing cables before moving the SpoolKart.

2.



Pull cable through the feed bar in front of the reel. The feed bar helps prevent tangling, even when multiple cables are being used simultaneously.

3.



On the sides of the SpoolKart are measuring units to make it easy and simple to pull cable off in measured lengths.

4.



A handy, padlockable tool tray by the handle can be used to store tools and other equipment.

» General Information

Spare Parts

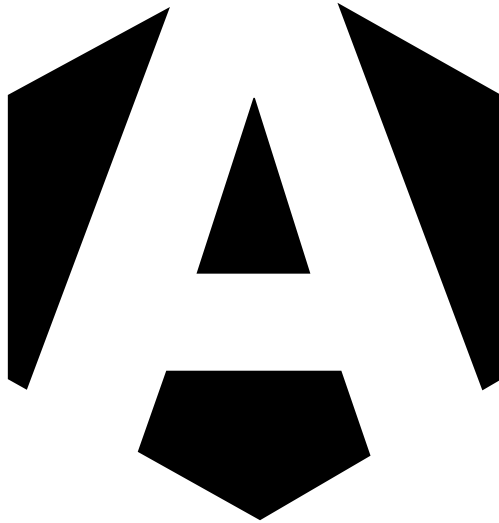
Replacement parts are available for the following:

- Feed bars
- Loading bars
- Wheels

ticking every box

View our full range of products online at
www.armorgard.co.uk





 **armorgard**
ticking every box.

Unit 14-16, Standard Way, Fareham Industrial Park, Fareham, Hampshire PO16 8XB
t: **023 9238 0280** e: **sales@armorgard.co.uk** w: **www.armorgard.co.uk**