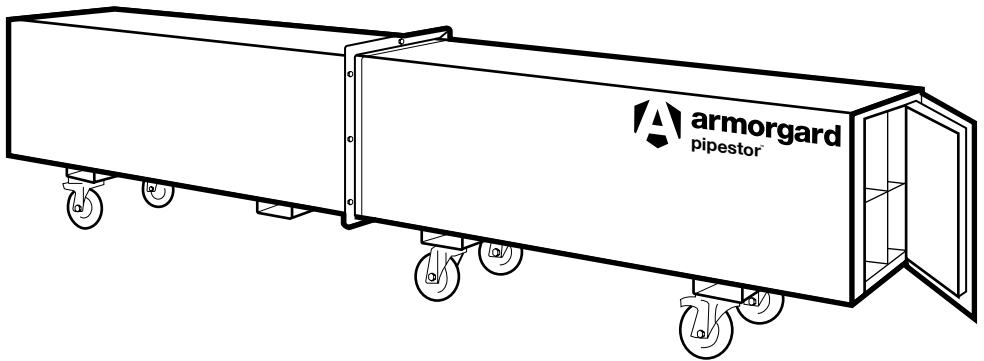


**armorgard**  
**pipestor™**

Model Number PS3.0



Instructions for setting up your  
Armorgard PipeStor PS3.0

# »» Welcome...

to your Armorgard PipeStor, the mobile secure storage trunk that keeps your pipes secure and organised.

**Please read this safety manual carefully prior to operating the PipeStor.**



# Safety Information

 Always apply the brakes when not manoeuvring.

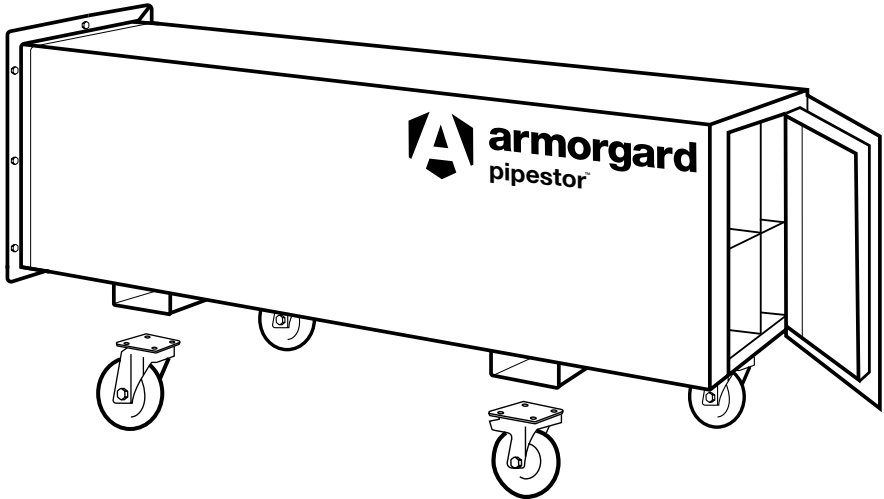
## This pack includes:

- 9 x M10 x 20 bolts
- 9 x M10 Nylocks
- 3 x Swivel Castor
- 3 x Swivel Braked Castor
- 6 x Castor Fixing Plates
- 24 x M8 Nylocks
- 1 x PipeStor Front section
- 1 x PipeStor Rear section
- 2 x Keys

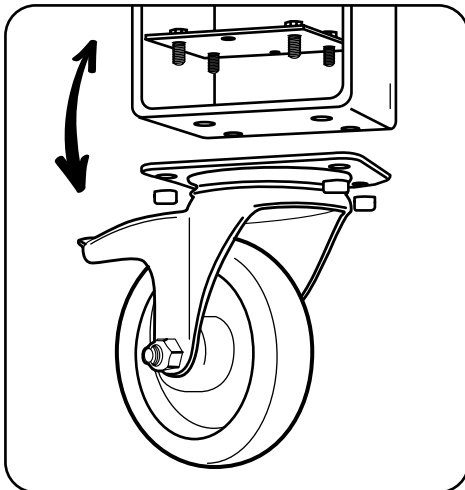
## »» Technical Specification

|                                      |                    |
|--------------------------------------|--------------------|
| <b>Model Number</b>                  | <b>PS3.0</b>       |
| <b>External Dimensions W x D x H</b> | 575 x 3205 x 785mm |
| <b>Internal Dimensions W x D x H</b> | 495 x 3160 x 495mm |
| <b>Net Weight</b>                    | 133kg              |

1.

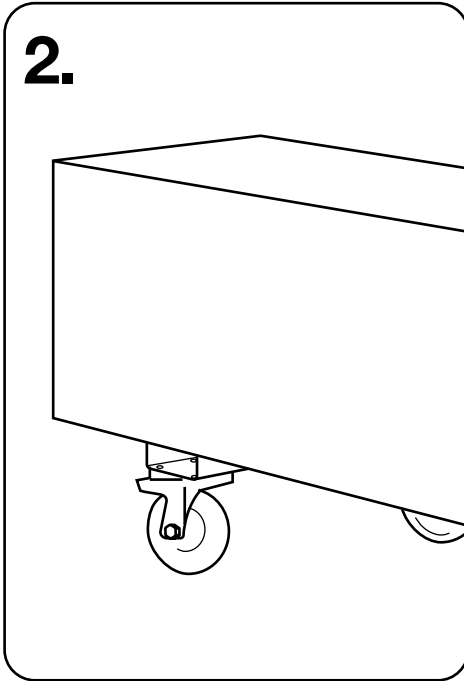


Take the PipeStor Front section and attach four castors to it.



- Raise the PipeStor Front Section so that there is enough clearance to get the castors under the forklift skid\*
- Slide a castor plate into the forklift skids and position the welded on fixings through the pre-drilled holes
- Position the castor under the forklift skid and on to the fixings. Important: ensure braked wheels are on opposite corners, and standard swivel wheels are on the other two. Secure all four castors to the front section using the M8 Nylocks
- Ensure all wheels rotate 360° before lowering the PipeStor Front Section to the ground.

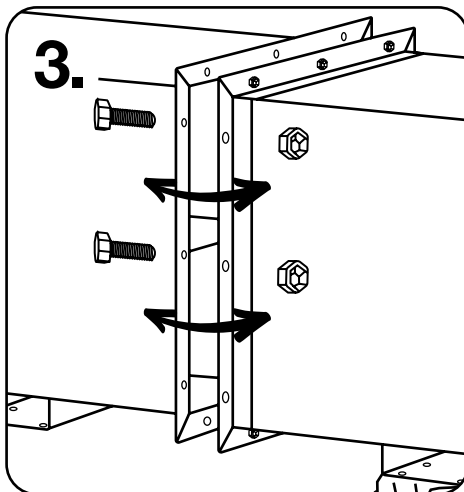
Any questions on setting up your PipeStor, please call Armorgard on 023 9238 0280



**Take the PipeStor Rear section and attach two castors to the rear forklift skid.**

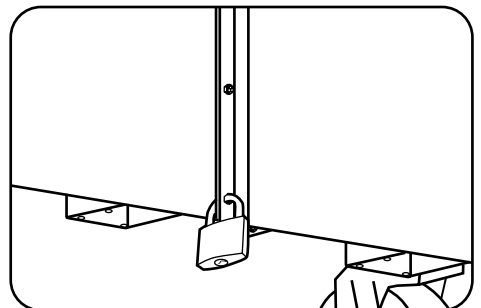
- Raise the PipeStor Rear Section so that there is enough clearance to get the castors under the rear forklift skid\*
- Slide a castor plate into the rear forklift skid and position the welded on fixings through the pre-drilled holes
- Position the castor under the forklift skid and on to the fixings. Secure both castors to the rear section using the M8 Nylocks
- Ensure both wheels rotate 360° before lowering the PipeStor Rear Section to the ground, taking care as one end will drop to the ground.

There is one spare skid on the rear section that doesn't require castors. For stacking purposes only.



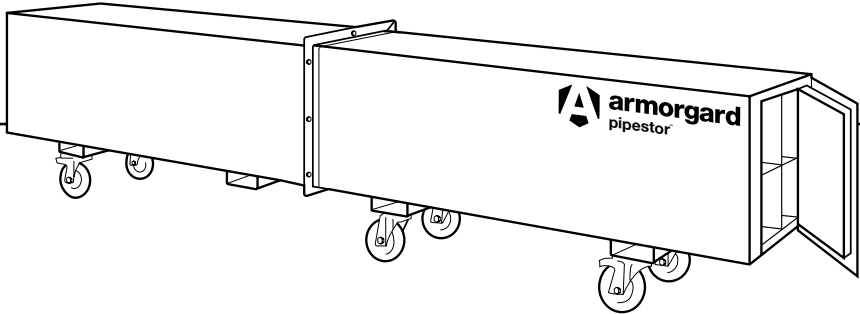
Bolt the rear section to the front section using the M10 x 20 Bolts and Nylocks.

The one spare hole is for the padlock to secure the unit - padlock is optional extra.



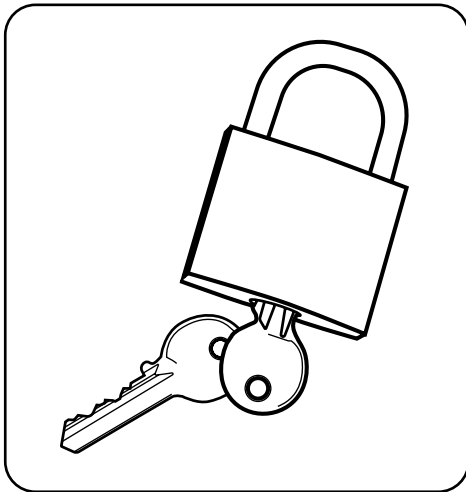
\*Always use safe means of raising the PipeStor such as a forklift.

**4.**



Your PipeStor PS3.0 is ready for use!

You can add the following optional extra for even more security and storage:



50mm brass padlock

## » General Information

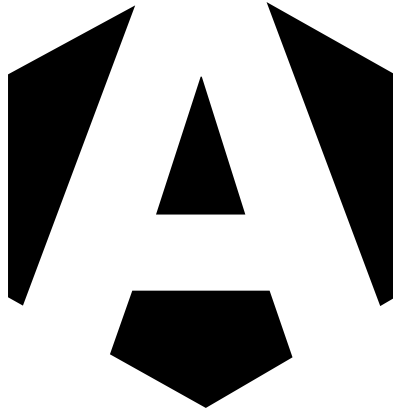
### Lost Keys?

Replacement keys can be purchased from Armorgard, using the serial number on the product. For added security, register your key serial number at:

[www.armorgard.co.uk/product-registration](http://www.armorgard.co.uk/product-registration)

**ticking every box.**

View our full range of products online at  
**[www.armorgard.co.uk](http://www.armorgard.co.uk)**



 **armorgard**  
ticking every box.

Unit 14-16, Standard Way, Fareham Industrial Park, Fareham, Hampshire PO16 8XB  
t: **023 9238 0280** e: **sales@armorgard.co.uk** w: **www.armorgard.co.uk**