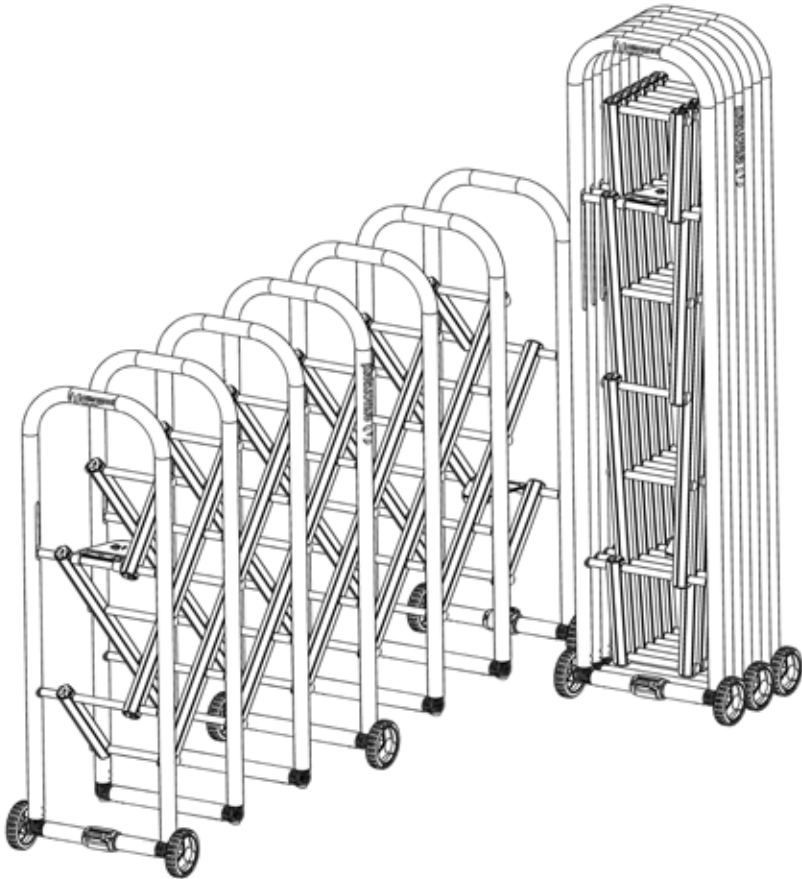


instagate

Model Numbers IG4, IG6, IGA1, IGL1



User manual for your Armorgard
InstaGate and accessories

» Welcome...

to your Armorgard InstaGate, the next generation crowd control barrier. Easily moved and deployed by one person, InstaGate is available in two sizes to suit any situation. Purpose built anchor and linking kit accessories also available to take your unit to the next level.

Please read this user manual carefully prior to using your InstaGate and fitting the accessories.













Contents

Welcome.....	2
Safety information.....	3
Getting to know your InstaGate	4
Optional InstaGate Anchor Kit.....	5
Optional InstaGate Linking Kit.....	5
Using the InstaGate	6
Features of the InstaGate.....	7
Using the InstaGate Anchor Kit.....	8
Using the InstaGate Linking Kit.....	9
General information	10

If you have any questions on setting up your InstaGate, please call 023 9238 0280



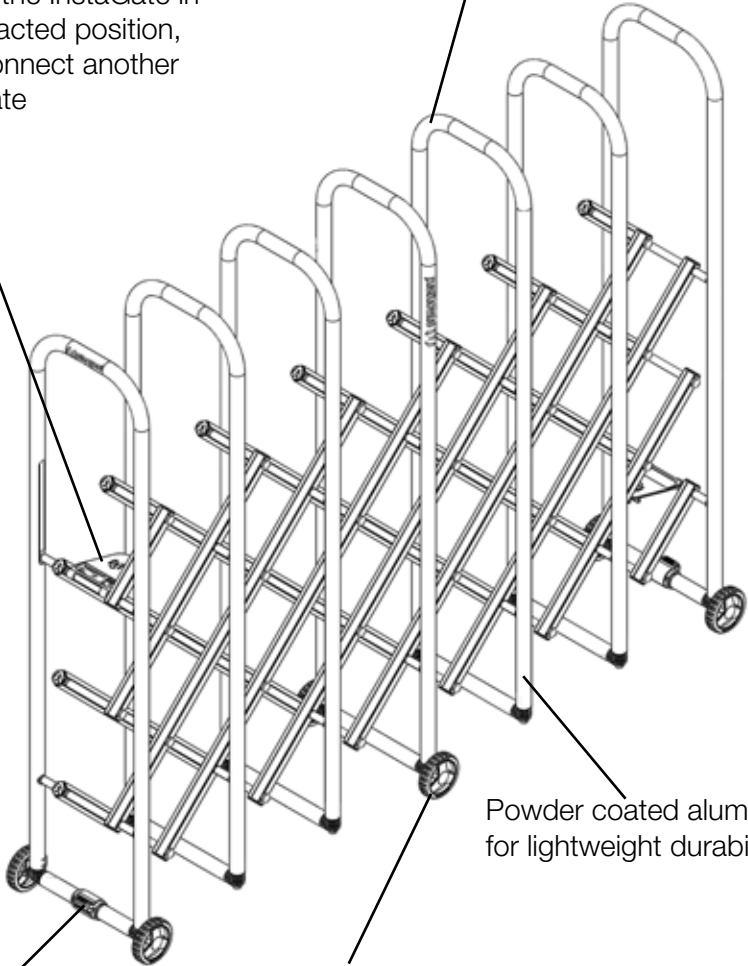
Safety information

-  Always check general product condition before use.
-  If in doubt always ask by contacting a representative of Armorgard.
-  Reject any damaged or rusty components.
-  InstaGates are not tested or intended; to withstand impact by any vehicle, to support or provide control of the public, or for the containment of bulk materials.
-  Ensure a risk assessment is carried out before use.
-  All installed systems should be checked at regular intervals by a competent person, to ensure its continued integrity and that there are no signs of any potential failing.
-  We recommend that these checks are recorded in a site log.
-  Please ensure any defective product identified during inspection is replaced immediately.
-  Ensure that InstaGates are deployed in suitable locations.
-  If in doubt, cease work, and use additional protection measures as required.
-  Always check your surroundings for potential hazards before deploying the InstaGate.
-  Items should not be fixed to the InstaGate other than the optional extra's intended for this product, as this could affect it's stability.

Getting to know your InstaGate

Built in latch can be used to hold the InstaGate in the retracted position, or to connect another InstaGate

Tubular design of the frame reduces the threat of finger trap

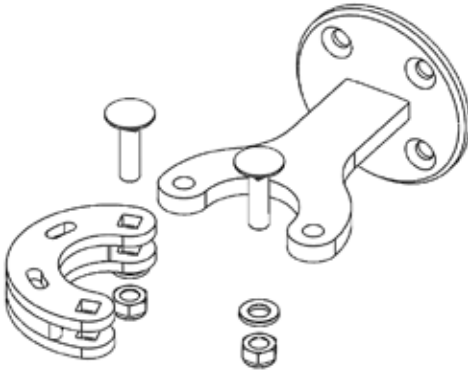


Powder coated aluminium for lightweight durability

Simple braking system keeps the InstaGate in its' place

Large, robust wheels make the InstaGate suitable for use on most sites.

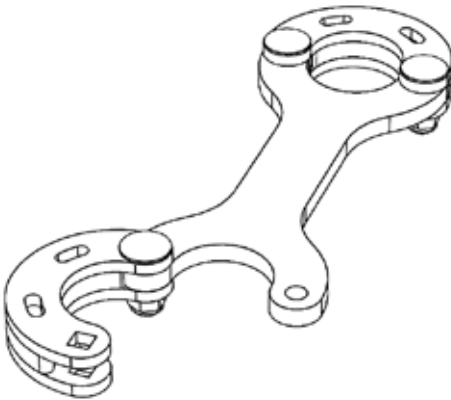
Optional InstaGate Anchor Kit



Contents

- 1x wall anchor
- 1x C-clip
- 2x M8 bolts
- 2x M8 nylocks
- 2x M8 washers

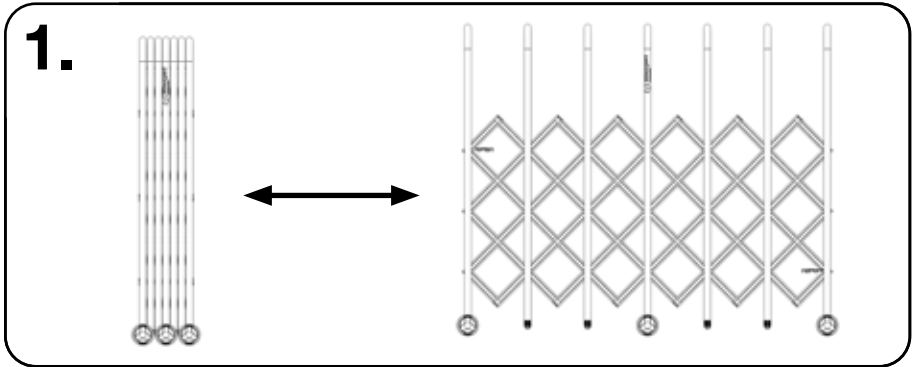
Optional InstaGate Linking Kit



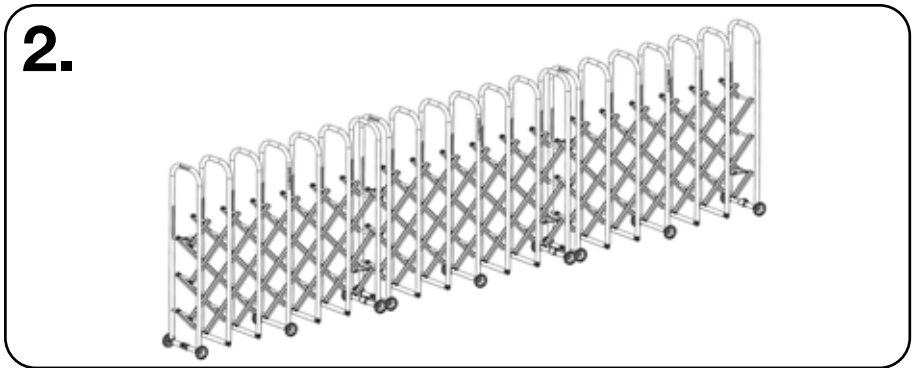
Contents

- 1x link
- 2x C-clip
- 4x M8 bolts
- 4x M8 nylocks
- 4x M8 washers

Using the InstaGate

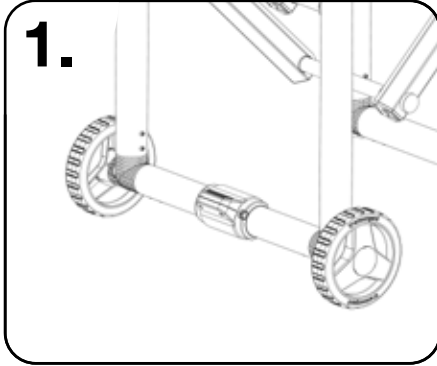


The InstaGates IG4 and IG6 will expand to over 2 metres in width.

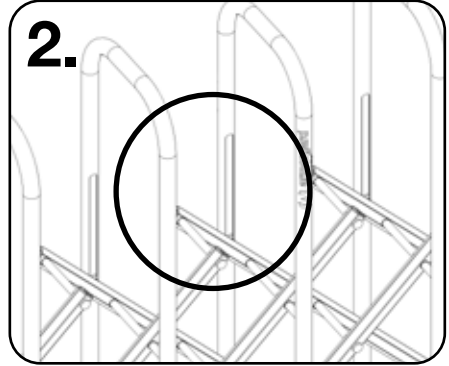


Easily daisy chained with other InstaGates, they can be used as a pedestrian or vehicle barrier for any size of gap.

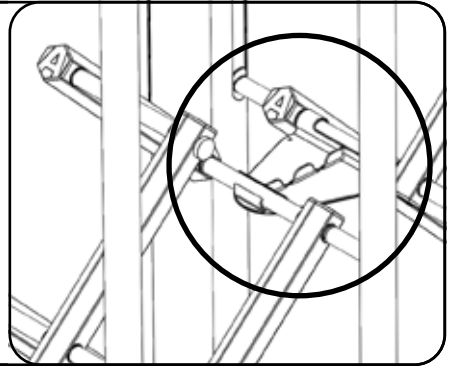
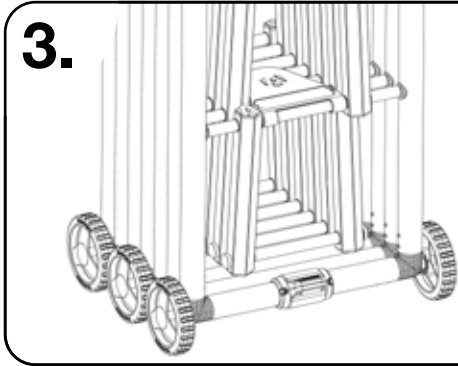
Features of the InstaGate



All InstaGates have four braked wheels to enable it to be locked in place.

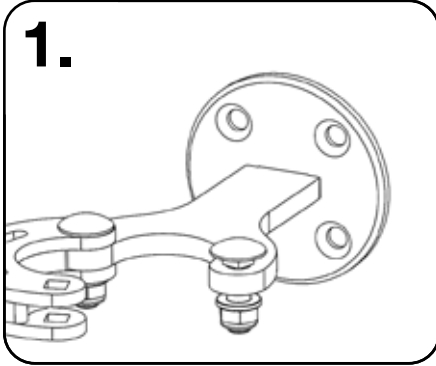


Unique tubular design helps to prevent the risk of finger traps to simplify day to day use.

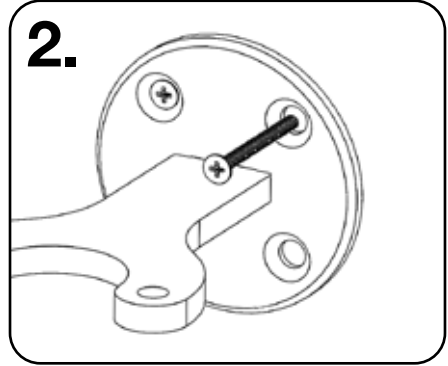


Built in latch locks the InstaGate in the retracted position, or can be used to daisy chain other InstaGates together.

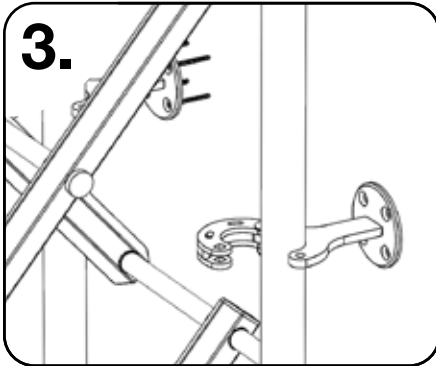
Using the InstaGate Anchor Kit



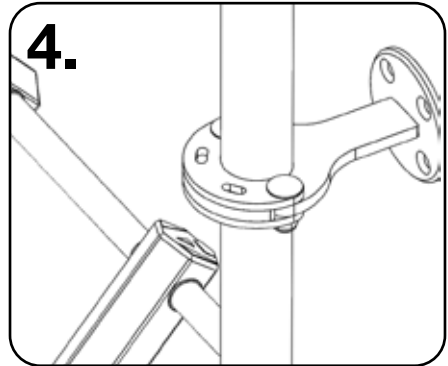
The anchor kits are sold individually, to enable the InstaGates to be secured to a surface.



Mount the anchors securely to a wall using all 4x screw holes.

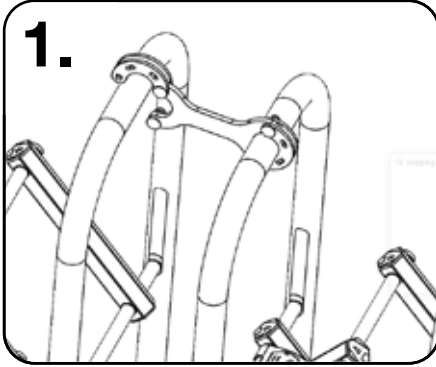


Simply push your InstaGate into the anchor, and swing the end around to align the bolt holes.

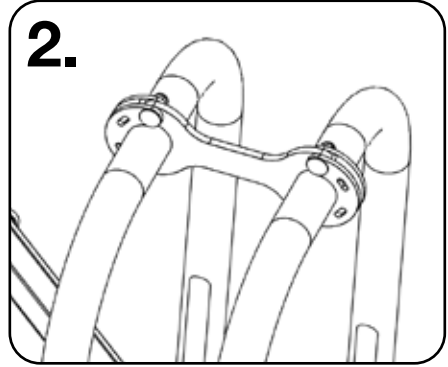


Use the included M8 bolt and nylocks to fasten the anchor kit in place. For more efficient use, a padlock can be used instead as shown in step 4 on page 9.

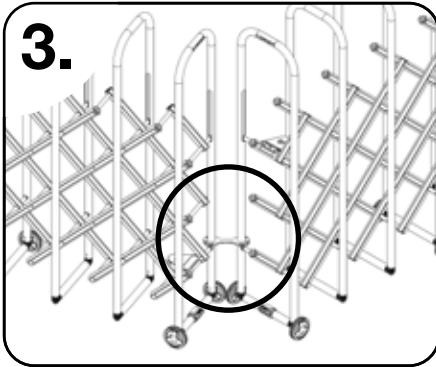
Using the InstaGate Linking Kit



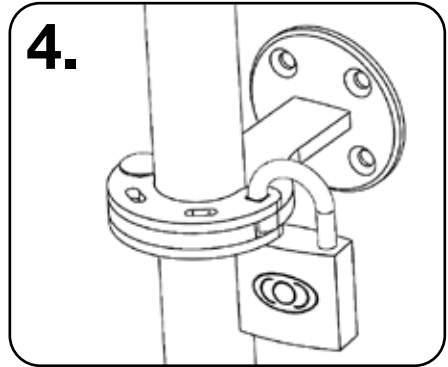
The linking kits are sold individually. Use the included M8 bolt and nylocks to daisy chain InstaGates as shown.



The ideal position when connecting InstaGates in a straight line is a link on both the top and the bottom horizontal bars of the InstaGates.



If connecting InstaGates on an angle, or connecting different size InstaGates, place the linking kit on the uprights.



Padlocks can be used on both the linking kit and the anchor kit to enable faster connections.

» General information

Additional kits

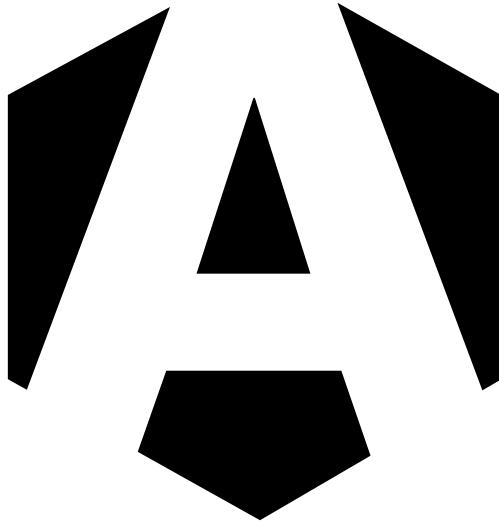
The following optional extra kits are available as below:

- InstaGate Linking Kit IGL1
- InstaGate Anchor Kit IGA1

ticking every box

View our full range of products online at
www.armorgard.co.uk





 **armorgard**
ticking every box.

Unit 14-16, Standard Way, Fareham Industrial Park, Fareham, Hampshire PO16 8XB
t: **023 9238 0280** e: **sales@armorgard.co.uk** w: **www.armorgard.co.uk**