



forma-stor coshh™

Product code: FR300-C

- » Quick-assembly modular storage for hazardous substances.
- » Heavy-duty open steel floor, allowing spillages to drain into the sump.
- » This unit arrives flat packed or assembled at additional cost.



Product features



2x 5-lever deadlock



Forklift pockets



Crane lifting eyes



COSHH compliant



680L



Collapsible



Stackable

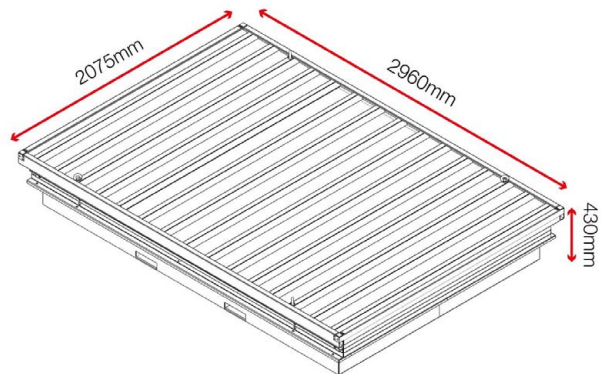


Fire resistant

Product specifications

| | |
|----------------------------|--|
| Weight | 553kg |
| Colour | Traffic red: RAL 3020 |
| Suitable for | Outdoor storage of flammables or chemicals |
| Finished coating | Galvanised and powder coated |
| Material & thickness | 1mm and 2mm steel |
| Quantity of keys | 3 keys |
| How are castors fitted? | Not applicable |
| Other sizes available | 3 other sizes |
| Ventilation | Yes |
| Qty of shelves as standard | 0 shelves |

Dimensions - External dimensions includes protrusions



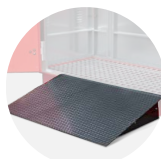
Optional extras - Contact Armorgard to find out more



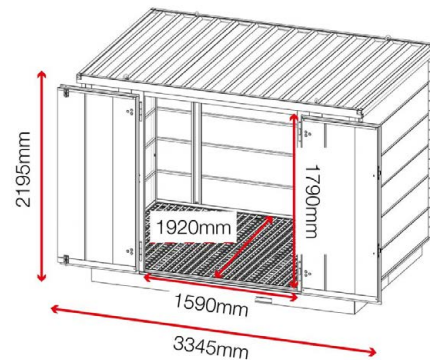
Shelf FRS2



BlokkaBar FRBL2



Ramp FRR4



Disclaimer: all dimensions and weights are approximate