



Barcode: 5060452082790

flexikart™

Product code: FK2

- » Multi-purpose unit for safely moving loads around site.
- » All four support arms can be raised individually.
- » Built in lashing points to secure the load.



Watch the FlexiKart in action



Product features



Working load limit



Forklift pockets



Heavy-duty 6" castors



Lashing points



Collapsible



Stackable



No detachable parts

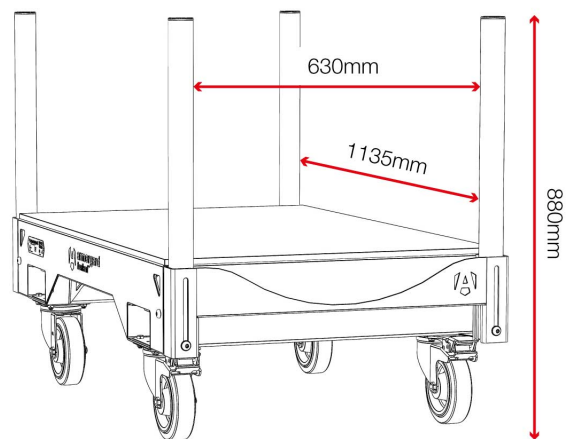
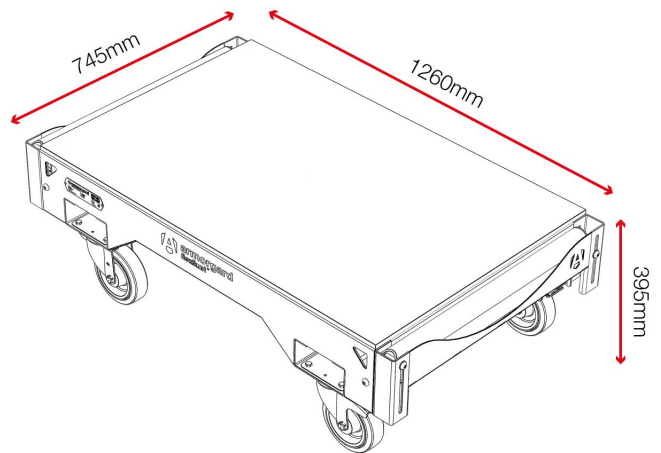


Suitable for site

Product specifications

Weight	62kg
Colour	Black grey: RAL 7021
Finished coating	Powder coated
Material & thickness	3mm & 1.5mm steel
How are castors fitted?	Castor plates
Assembly required?	Yes

Dimensions



Related products - Contact Armorgard to find out more



TurnTable TT1



V-Kart VK2



BeamKart BK1



BeamKart BK2