



Barcode: 5060452080277

fittingstor™

Product code: FC4

- » Secure cabinet designed for storing fittings and materials.
- » Features 3 removeable shelves with adjustable dividers.
- » Storage compartment in the base for larger tools and equipment.



Watch the FittingStor in action



Product features



2x 5-lever deadlock



Standard 6" castors



Forklift skids



Up to 4 shelves



Suitable for site

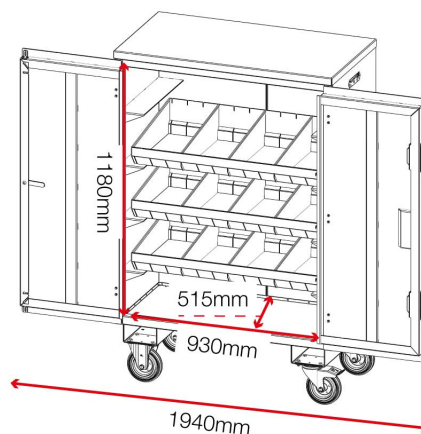
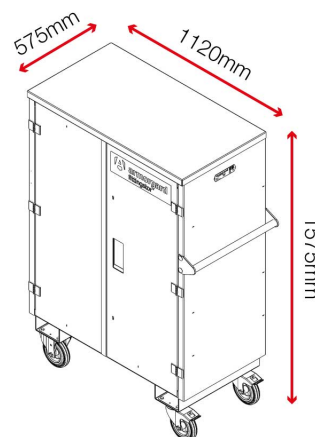


Built in handles

Product specifications

Weight	125kg
Colour	Black grey: RAL 7021
Suitable for	Site
Finished coating	Powder coated
Material & thickness	1.5mm and 2.5mm steel
Quantity of keys	3 keys
Suitable for vehicle mounting	No
How are castors fitted?	Quick-fix bolt on castor kit
Other sizes available	4 other sizes
Qty of shelves as standard	3

Dimensions



Optional extras - Contact Armorgard to find out more



Fittings bins FCB



FittingStor shelf FC-S