



Barcode: 5060452082196

drumbank™

Product code: DB2S

- » Enclosed unit for the safe storage of oil drums or fuel containers.
- » Fully welded sump with raised and removable steel grid flooring.
- » Half depth shelf for storage of items such as jerry cans & pumps.



Product features



2x 5-lever deadlock



Forklift skids



Crane lifting eyes



COSHH compliant



Sump capacity 240L



Fire resistant

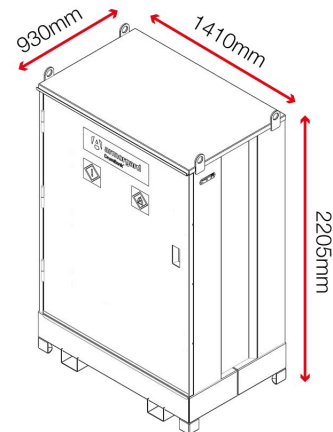


Safety signage

Product specifications

Weight	255kg
Colour	Black grey: RAL 7021
Suitable for	Outdoor storage of drums - 2 x 205L
Finished coating	Powder coated
Material & thickness	1.5mm and 2.5mm steel
Quantity of keys	3 keys
How are castors fitted?	Not applicable
Other sizes available	1 other size
Ventilation	Yes
Qty of shelves as standard	1 shelf

Dimensions



Related products - Contact Armorgard to find out more



DrumBank DB4S



DrumBank DB2



DrumBank DBP2



DrumBank DBIBC1

