



datastation™

Product code: DS2-240

- » Built in 42" screen can be used for presenting or BIM modelling.
- » On-site workstation that serves as a site office or central hub.
- » Allows managers to stay close to the work & workers on site.



Product features



4x 5-lever deadlock



Power supply 230V



Heavy-duty 6" castors



Forklift skids



Crane lifting eyes



Suitable for site



Light supply

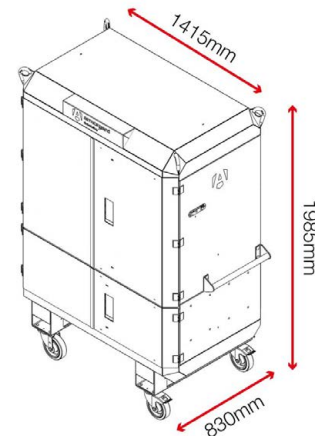


Built in 42" screen

Product specifications

Weight	230kg
Colour	Black grey: RAL 7021
Finished coating	Powder coated
Material & thickness	1.5mm steel
Quantity of keys	4 keys
Does it have storage	Yes
How are castors fitted?	Castor plates

Dimensions - External dimensions includes protrusions



Related products - Contact Armorgard to find out more



SiteStation SS2



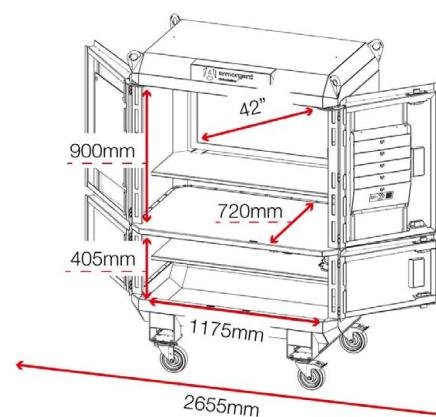
CuttingStation SS7



Mobile TuffBench MBH12



Barricade BAR1



Disclaimer: all dimensions and weights are approximate