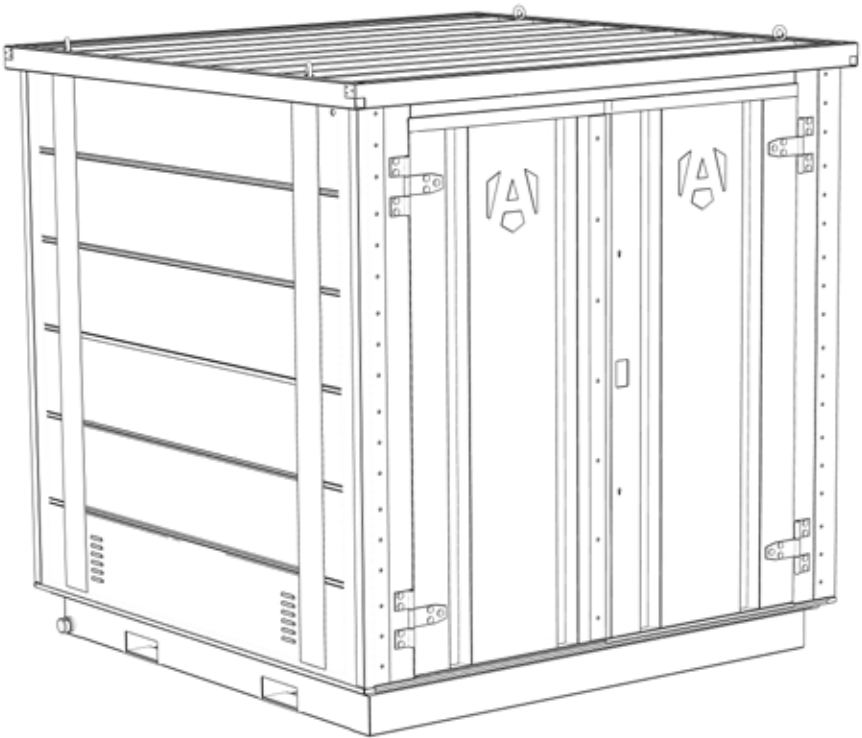


cuttingcube

Model Number CC200



User manual for your
Armorgard CuttingCube CC200

»» Welcome...

to your Armorgard CuttingCube, a safe, convenient and portable solution for cutting any masonry-based items.

**Please read this user manual carefully
prior to setting up the CuttingCube**









Contents

Welcome.....	2
Safety information.....	3
Getting to know your CuttingCube	4
Setting up the CuttingCube	5
Using the CuttingCube	6
Additional kits	7
General information	7

Please call +44 (0) 23 9238 0280 if you have any questions on setting up your CuttingCube.



Safety information

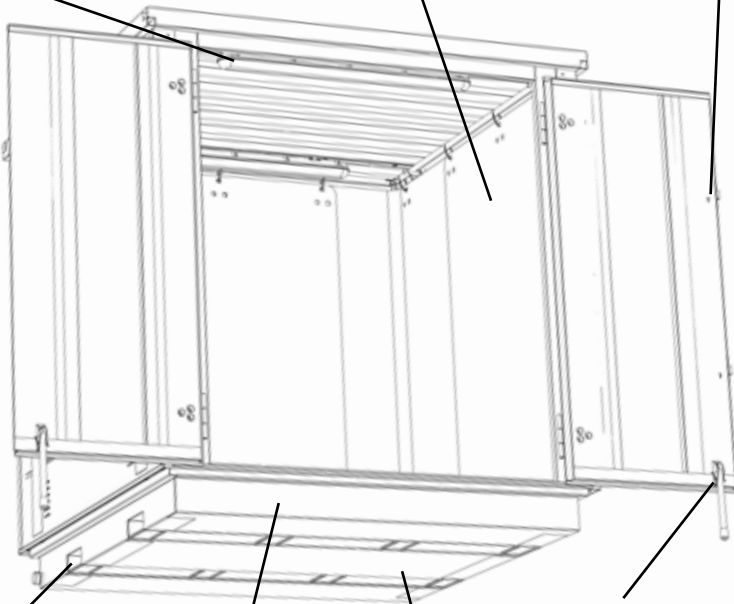
-  A full risk assessment should be carried out before use, taking into account the site conditions, location and surroundings along with any other assessments required by the site operator.
-  The CuttingCube must be positioned on a flat, solid surface, and should be level and stable before being used.
-  Ensure the CuttingCube is fully constructed and that it is empty before lifting or moving it. Only qualified personnel should lift the CuttingCube.
-  **WARNING!** The lifting eyes are provided only for positioning the CuttingCube, and the unit must be empty whilst lifting. Before lifting, each lifting eye needs to be checked that it is fitted correctly, and should be inspected by a lifting operator before use.
-  If dust builds up, let it disperse appropriately before continuing work.
-  The unit must be appropriately marked up with all relevant safety signage which should be heeded at all times.
-  Any operator using the CuttingCube must be fully trained and familiar with the risk assessment.
-  We recommend that an Armorgard SaniStation be placed in the vicinity and configured as a safety point for fast access to PPE and first aid equipment.

Getting to know your CuttingCube

Sound-deadening curtains reduce the noise levels from cutting masonry.

Lockable unit allows equipment to be left securely in the CuttingCube.

Bright LED lights for increased visibility at all times.



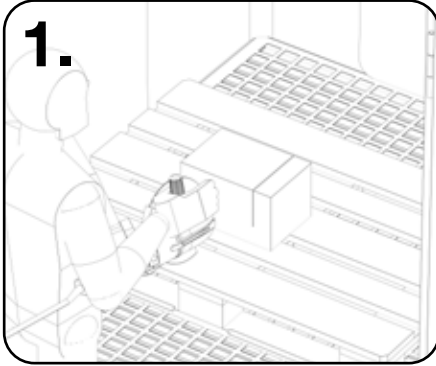
Forklift pockets for easy transportation.

Door stays to prevent doors closing on the operator.

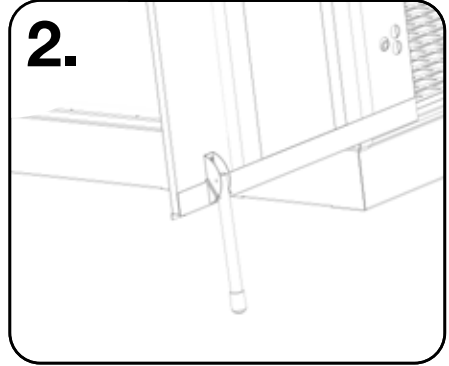
Modular, flat pack unit can be dismantled in minutes for easy storage.

Fully welded sump for containment of slurry.

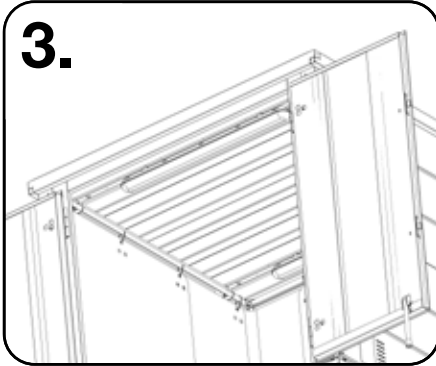
Setting up the CuttingCube



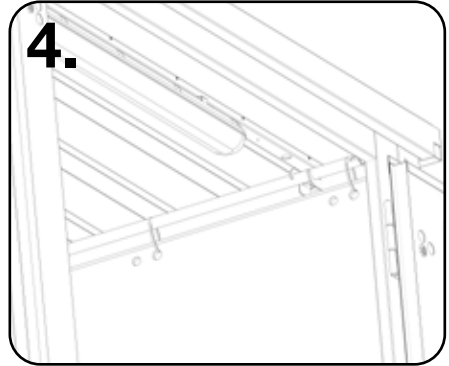
1. For safety, cutting should be done on a pallet and doors should be kept open during operation.



2. Door stays on the doors provide an easy way to safely and securely prop the doors open. Door stays must be disengaged before trying to close the door.

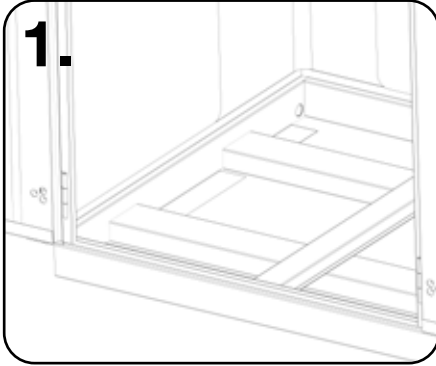


3. The lights should always be turned on when the CuttingCube is in use. The CuttingCube is supplied as standard with 110V plug.

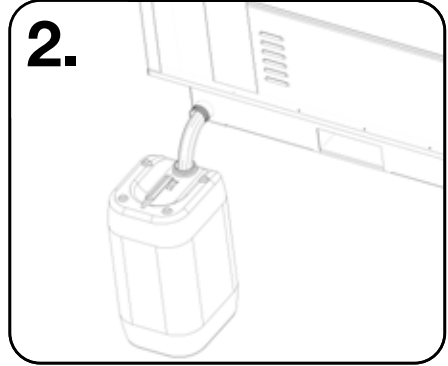


4. The sound deadening curtains are affixed using cable ties onto the rails provided. When removed for cleaning, these can be replaced very simply using more cable ties.

Using the CuttingCube



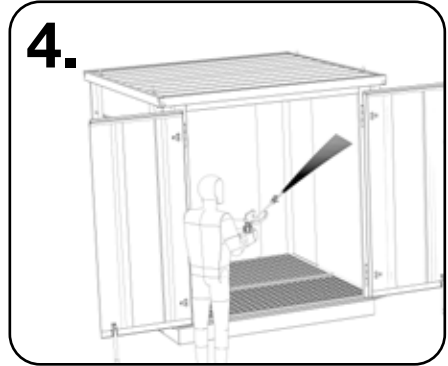
1. During use, the sump will fill with slurry and waste from the cutting. The sump should be emptied regularly to prevent the slurry overflowing the sump.



2. A sump plug is provided in the rear corner for easy disposal of slurry. The slurry must be collected into a suitable container such as a tank screwed onto the sump plug, and disposed of safely.



3. If curtain rails need to be removed then they should be unbolted carefully using the brackets.



4. The sound deadening curtains should be regularly hosed down with a pressure washer to ensure best performance.

» Additional kits

The CuttingCube can be fitted with the optional Armorgard BlokkaBar BL2 to increase security and help deter thieves. Please call +44 (0)23 9238 0280 for more details.

» General information

Lost keys?

Replacement keys can be purchased from Armorgard, using the serial number on the product.

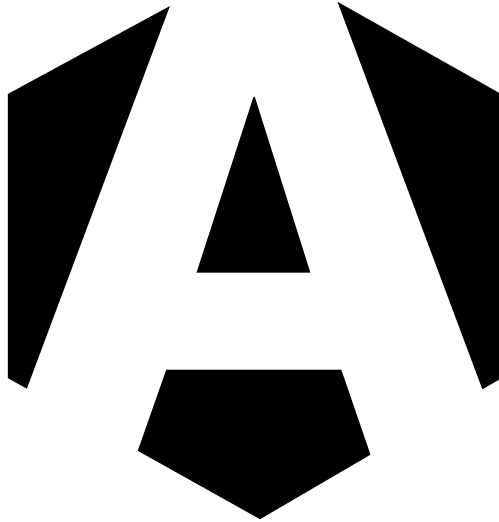
Spare parts

The following parts are available to order as spares for the CuttingCube:

- Sound deadening curtains
- Sump plug
- Curtain rails and brackets
- Door stop

ticking every box

View our full range of products online at
www.armorgard.co.uk



 **armorgard**
ticking every box.

Unit 14-16, Standard Way, Fareham Industrial Park, Fareham, Hampshire PO16 8XB
t: 023 9238 0280 e: sales@armorgard.co.uk w: www.armorgard.co.uk

