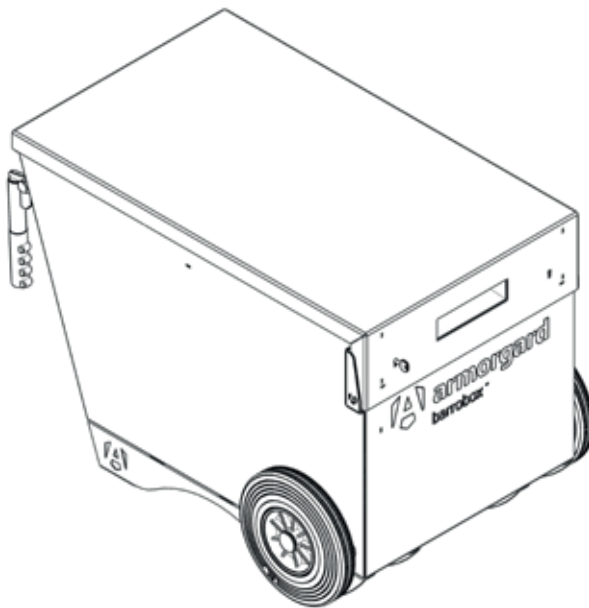




barroboxTM

Operational & maintenance manual

Suitable for: BB2





Welcome

Welcome to your Armorgard BarroBox, the safest portable security box for your tools and equipment. Please consult this manual for instructions on how to get the most from the unit.

Please read this user manual carefully prior to using your BarroBox.

Contents

Safety information.....	4
Product specification.....	5
What's included.....	6
Tools you'll need.....	7
Getting to know your BarroBox™.....	8
How to use.....	10
Storing the unit.....	11
Transporting the unit.....	12
Equipment care.....	13
Ongoing maintenance.....	13
Warranty.....	14
Notes.....	15



Safety information

- » Before using the BarroBox, ensure any relevant risk assessments are carried out. Armorgard cannot be responsible for accidents that occur due to negligence.
- » The BarroBox is too heavy to be safely lifted by one person. Carry out a risk assessment before lifting or lowering any BarroBox to ensure there is no risk of injury.
- » The SlamStop lid stay has been added to improve the safety of the box, however, care must be taken to prevent injury when opening and closing the lid.
- » Ensure that the ring pull latch on the wheel adjustment handle has fully engaged into the latching plate. This will help prevent accidental raising or lowering of the wheels.
- » Ensure that the BarroBox is not damaged before using it.

Whilst every effort has been made to ensure this operational and maintenance manual covers every aspect needed to operate your product safely, please take care whilst using the product and always operate with caution. Always liaise with management personnel on site for any additional operational restrictions that you need to be aware of.

Do	Don't
✓ Lock the box when leaving unattended	✗ Lock one side, always use both locks
✓ Lift SlamStop lid stay when closing lid	✗ Leave lid unlocked when unattended
✓ Carry out risk assessments before lifting	✗ Raise wheels when manoeuvring
✓ Use handles when manoeuvring	✗ Force lid shut

Product specification

Product code	Description	Weight (kg)	External Dimensions W x D x H (mm)	Internal Dimensions W x D x H (mm)
BB2	BarroBox	82	770 x 1045 x 716	600 x 797 x 608



What's included...



1x BarroBox



3x keys

Tools you'll need...

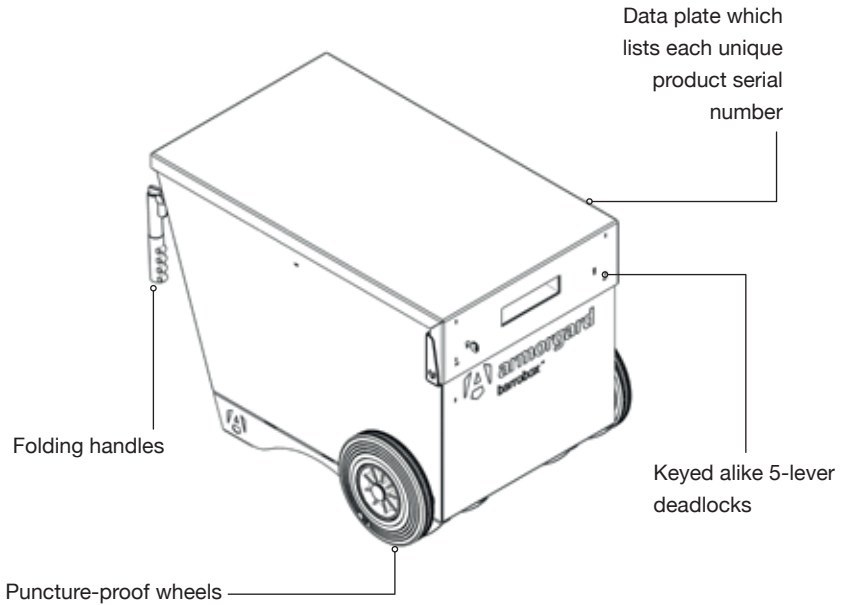


One person
needed



Getting to know your barrobox™

The ultimate portable tool protection for workers on the move.



5-lever deadlock



Forklift skids



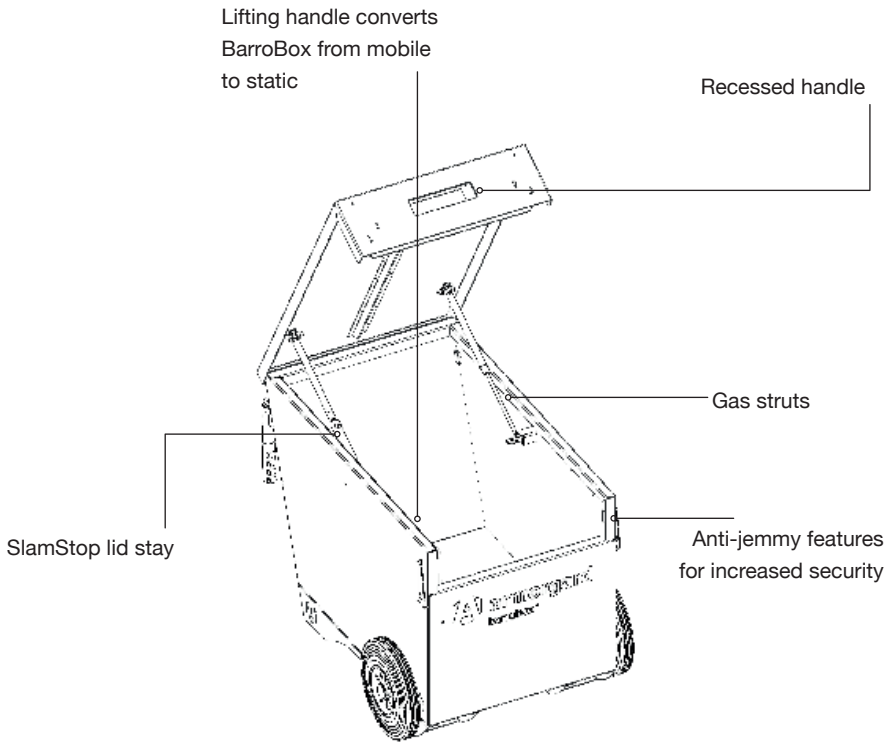
Gas strut arms
(300N)



Puncture-proof
wheels



No detachable
parts



Suitable for use on-site



Product with handles



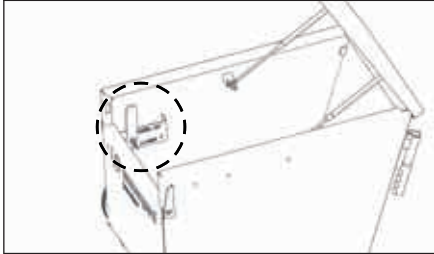
SlamStop lid stay



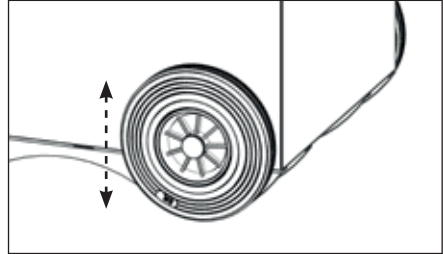
No detachable parts



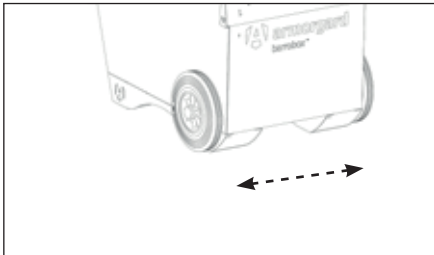
How to use



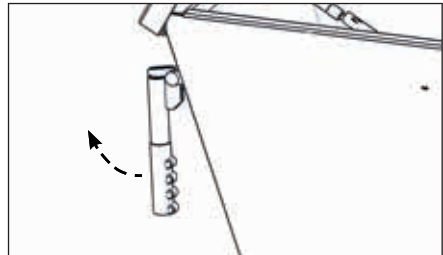
- 1.** Open the lid to reveal the lever inside. Release the catch which will move the wheels and make the unit mobile.



- 2.** Moving the lever forward lowers the wheels, pulling it back will raise the wheels. Ensure the catch is properly engaged once the wheels are in position.



- 3.** Ensure that nothing is below the body or near the forklift skids when operating the lever.

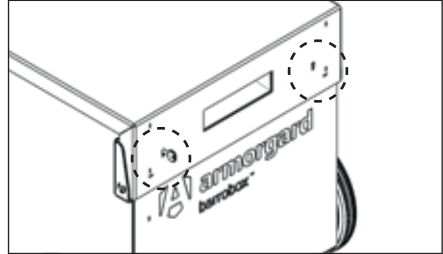


- 4.** When the wheels are in their lower position, close the lid then use the fold-out handles on the rear of the unit to lift and push the BarroBox.

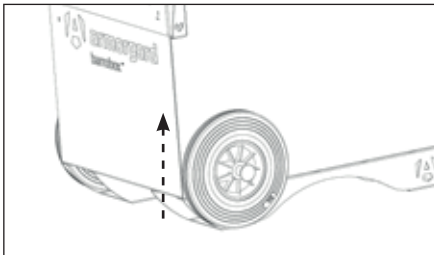
Storing the unit



- 1.** The flat sides and recessed handles of the BarroBox can help save space when storing the unit.



- 2.** Ensure that both locks are secured when leaving the BarroBox unattended. This is essential to uphold the maximum security of the box.



- 3.** When the BarroBox is in position, always ensure the wheels are in their raised position.

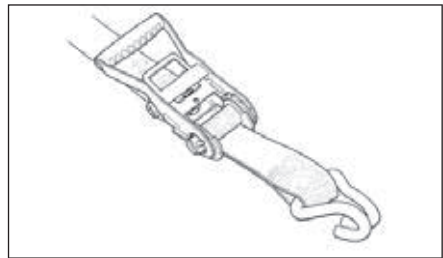
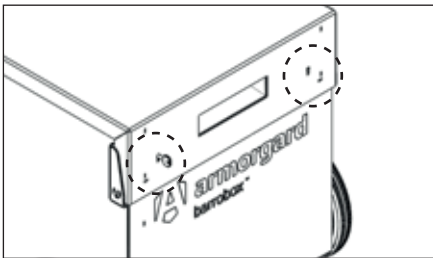


Transporting the unit

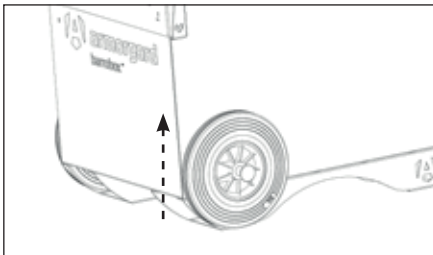
The design of the BarroBox makes transporting the product easy.

The unit features forklift pockets for transporting with a forklift or pallet truck. The puncture proof wheels make the unit suitable for use on rough terrain.

Please note that the product may require more than one person to lift, and it is always advised to lift the product when it is empty of contents.



- 1.** Always secure both locks and remove key before lifting the unit, to ensure that the lid does not open unexpectedly.
- 2.** During transportation, ensure the BarroBox is secured to the carrier using straps or other measures.



- 3.** The wheels should be in their static position when being transported.

Equipment care

The BarroBox is weatherproof and finished with a durable powder coating, so it is suitable for outdoor use, however it does not mean it is waterproof. It is always important to note that any electrics or equipment susceptible to water damage should be sealed.

Always ensure that the product data plate remains visible and in good condition, especially the unique serial number, as this is required should you need a replacement lock or key.

Ongoing maintenance

It is important to check that the BarroBox is not damaged before every use.

We recommend for you to check the lever, handles, locks, SlamStop lid stay, gas struts and wheels every three months, to ensure that the BarroBox can operate fully. If the BarroBox will be under rigorous use, we recommend integrity checking regularly.

Always carry out integrity checks before lifting or transporting the unit.



Warranty

Armorgard products are built to last, and all have a manufacturer's warranty of 12 months - please refer to the terms and conditions for what this covers.

We also keep replacement keys and offer replacement locks for all Armorgard products up to five years old. All we'll need is the distributor you purchased from and your product's serial number, which can be found on the data plate of every product.

Do not force entry into the product, as this could affect the warranty. Always contact us if you require a replacement lock or key.

Locks, keys and spare parts



Replacement keys



SlamStop safety stay



Replacement deadlocks



Gas struts



For additional support and easy access to spare or replacement parts, register your product following the QR code:



Notes



Find us on social media



UK Head Office

Unit 14-16 Standard Way, Fareham Industrial Park, Fareham, Hampshire PO16 8XB
+44 (0)23 9238 0280 | sales@armorgard.co.uk | www.armorgard.co.uk

France Office

+ 33 (0)4 81 16 06 69
commercial@armorgard.fr
www.armorgard.fr

Australia Office

+61 1300 131 751
sales@armorgard.com.au
www.armorgard.com.au

New Zealand Office

0800 826 828
sales@armorgard.co.nz
www.armorgard.co.nz